



Rough frame is equipped with the travelling wheel and with the set screws. It serves for the placing of the containers of PU components, dosing pumps with drive, work table and the arm of mixing

#### Stainless steel gravity containers for PU components

- volume of each container is 25 l , maximal inner overpressure and underpressure is 0,3 bar
- outlet for components, places in the lower part of container is equipped with the cock, to which the filter screen is fixed
- filling of containers after taking of cover by filling from transfer containers
- level is not scan , but it is count according the demand and displayed on LCD display
- container of POLYOL is equipped with the stirrer with electric motor drive
- possibility of ventilation of POLYOL by means of vacuum pump
- both components are provide with protective atmosphere (dried air or nitrogen)
- drying of pressure air by means of membrane air drier (it can be also freeze



#### Dosing of components

- two portable dosing gear pumps with cyclic gearbox and electric motor drive
- components are cleaned before their enter to pumps
- scanning of pressure of components during displacement with the blocking of run of doses at exceeding of maximal set value

#### Work table for placing and handling with the product during filling

- dimension 1100 x 600 mm, height 800 mm with smooth surface and linear guidance
- under the work table there is a container for capturing of backsplash with outlet for exhausting

#### Arm of Mixing Head

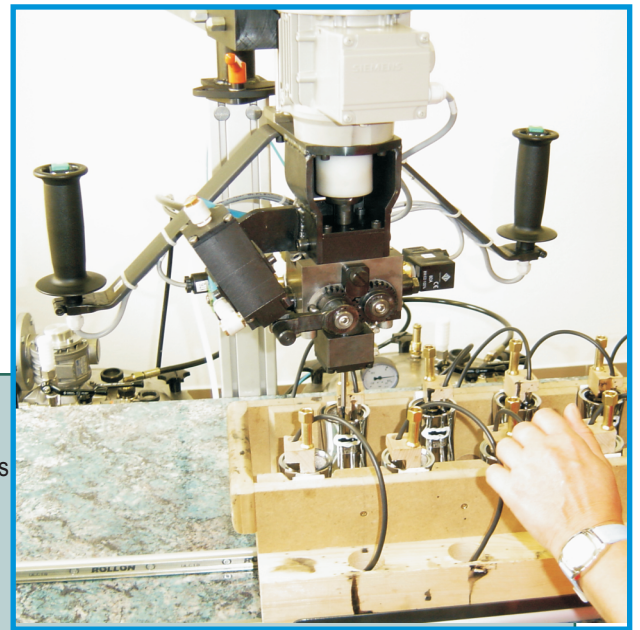
- is rotary placed on the support with the possibility of mechanic lock
- range of rotary  $\pm 45^\circ$
- arm can be, (in the place of rotary placement) horizontally moved and locked by the electrically controlled brake
- range of horizontal movement is 420mm
- on the arm there is a head, which is fixed by the means of pneumatic balanced device, what enables manual vertical movement
- range of vertical movement of balanced device is 250mm





## Head

- low pressure, recirculation, with the closing of outlet nozzle
- inlet for flushing by liquid and blowing
- mixing of both components secure the mixer, driven by electromotor
- setting of revolutions for mixer on LCD display r. p. M



## Flushing of mixing head

- stainless steel pressure container for flushing medium with the volume of 45l
- current indication of level can be seen on the main board
- flushing and blowing by electromagnetic valve (and wrecking manual control)

## Main switchboard

- separately placed, it is connect with the machine by cables with connectors
- there is placed the control for electromotor of mixer, vacuum pump and dosing pumps
- switch on/off of electromotor of head mixer
- control of brake
- control of splash, filling, flushing and blowing
- display of height of level of flushing medium
- blocking of run during shortage of flushing medium
- display of pressure of POLYOL and ISOCYANATE behind the dosing pump
- PLC control and colour touch LCD display for setting, control and monitoring of the machine state



## Touch colour LCD display

- setting of required discharge of mixture from head [ml/s]
- setting of required volume of ISOCYANATE to 100 % of POLYOL
- setting of accurate revolutions of head mixer for filling and extra for the first splash [rev/min]
- setting of doses for first splash, other splash, filling and calibration [ml]
- time of filling is automatically calculated from each existing dose and from discharge (accuracy 0,01s)
- counter for filling cycle, for flushing, for operating hours, for consumption of components for number of products
- setting of production charge for periodic report to number of produced products
- setting of time cycling of mixer operation and vacuum pump in container for POLYOL
- report "rinsing necessary" if the material stays in head without rinsing for longer time than is setting
- possibility of prevention of change the important technical parameters by the help of password
- operating report ("minimal level", "air pressure decrease", "temperature out of working range"
- breakdown report ("circuit breaker breakdown", "failure phase", "button error" ....)
- setting of control for filling or brake even for buttons, placed in the handle of head and pedal
- electronic adjustment of pressure of ISOCYANATE and POLYOL before their enter to mixing head

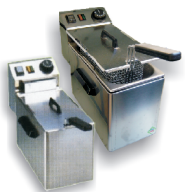
## Accessories:



Drier of air

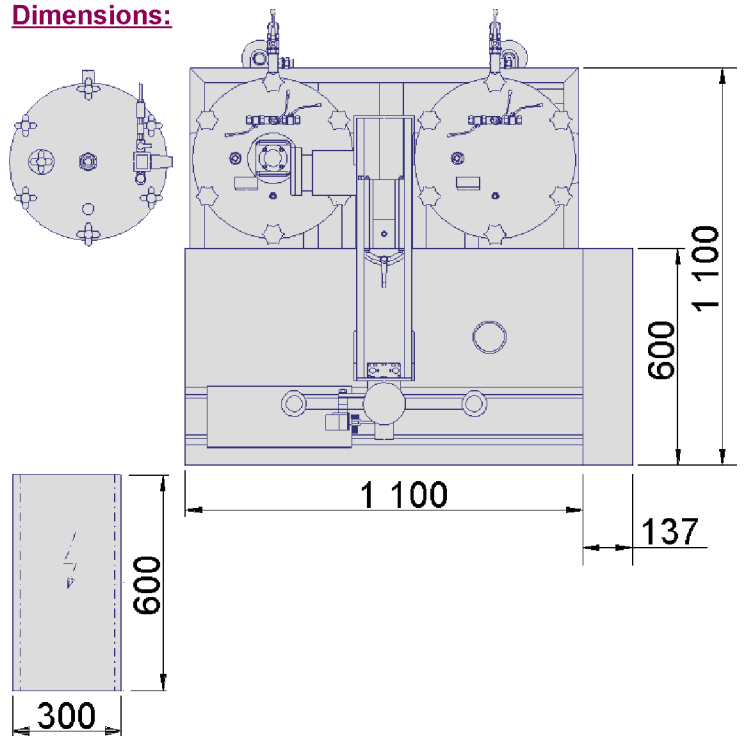


Cleaner on heat  
PU CLEANER 5001



Boil container for  
cleaning of head parts

## Dimensions:



Agency

Cat. No.P04008UK E2